

LIFT WHEEL

NPP80-50-100G

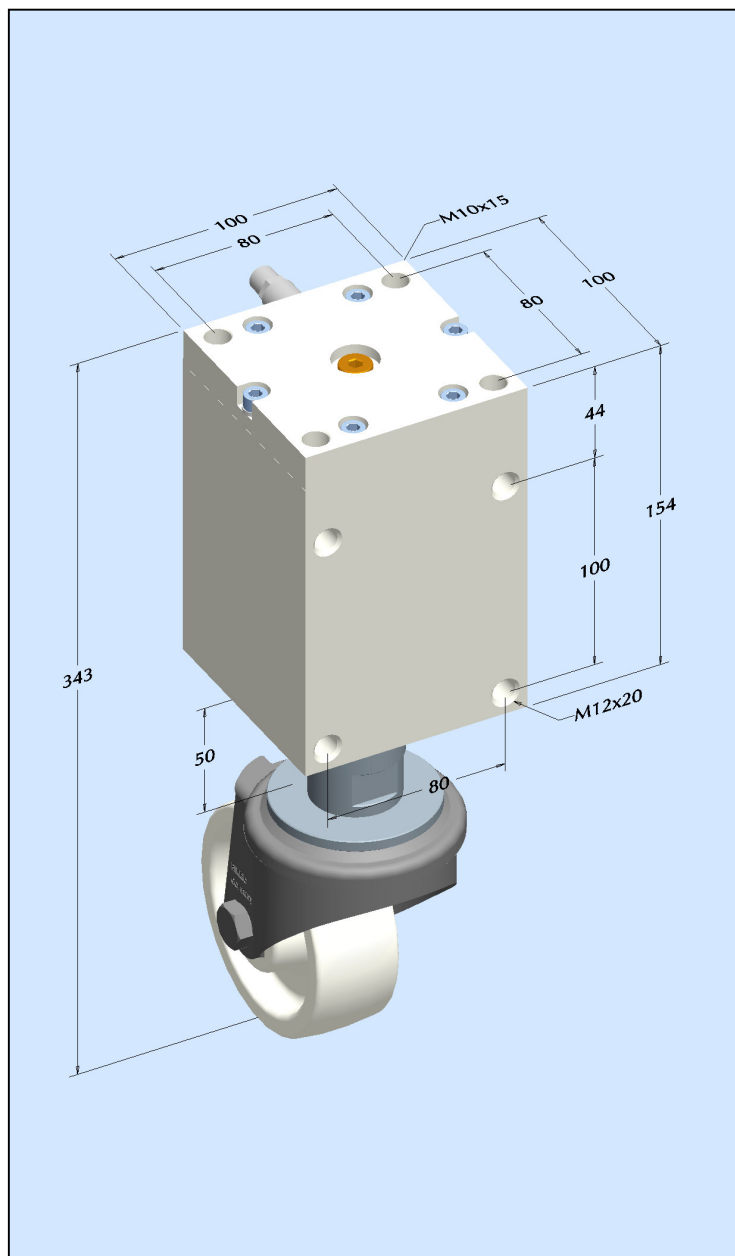
LIFT WHEEL NPP80-50-100G

Lift wheel is a pneumatic cylinder and the swinging wheel combination. Strong construction also includes solid rod that guides lifting. Theaded holes for mounting a lift wheel are on side and upper surfaces. Lift wheels are used to transfer often movable objects such as:

- theatre sceneries
- fixtures
- desktops
- transfer platforms

Lifting capacity up to 350 kg with one wheel.

LIFT WHEEL NPP80-50-100G	
Pressure	Lifting capacity
bar	kg/cylinder
1,0	50
2,0	100
3,0	150
4,0	200
5,0	250
6,0	300
7,0	350
Wheel load max. 350 kg	





Lift wheel assembly includes:

- cylinder \varnothing 80 mm / stroke 50 mm
- swinging wheel 100 mm / R95 mm
- speed controller
- hose connector
- exhaust filter

Wider delivery also available:

- air tanks
- manual control valves
- pressure-reducing valves
- pressure gauges
- pneumatic hoses
- other connectors and accessories

Depending on the application one or more lift wheel attach to the object to ensure the necessary lifting power and stability.

Compressed air is fed to cylinders of the lift wheels, when the object rises up on the wheels and therefore is easily movable. The object itself is supported on base under normal circumstances. Pressure and flow can be controlled and adjusted with normal valves and regulators.

The benefits of the lift wheel:

- lifting and moving are ergonomic and safe
- simple structure
- wheels used only during the movement, so wheels less strain and the object stays in place better lowered

